

# Bourdon tube pressure gauge Test gauge series, class 0.6 Models 311.11, 331.11

WIKA data sheet PM 03.02



## Applications

- For gaseous and liquid media that are not highly viscous or crystallising
- Model 311.11: Measuring system Cu-alloy  
Model 331.11: Measuring system stainless steel, also for aggressive media
- Precision measurement in laboratories
- High-accuracy pressure measurement
- Testing of industrial type pressure gauges

## Special features

- Knife edge pointer for optimal accuracy of reading
- Precise movement with wear parts of argentan
- Particularly easy-to-read scale due to nominal size 250
- Scale ranges up to 0 ... 1600 bar



Test gauge series model 311.11

## Description

### Design

EN 837-1

### Nominal size in mm

250

### Accuracy class

0.6

### Scale ranges

Model 311.11: 0 ... 0.6 to 0 ... 600 bar

Model 331.11: 0 ... 0.6 to 0 ... 1600 bar

or all other equivalent vacuum or combined pressure and vacuum ranges

### Adjustment medium

≤ 25 bar: Gas

> 25 bar: Liquid

### Pressure limitation

Steady: Full scale value

Fluctuating: 0.9 x full scale value

Short time: 1.3 x full scale value

### Permissible temperature

Ambient: -40 ... +60 °C

Medium: +80 °C maximum (model 311.11)

+200 °C maximum (model 331.11)

### Temperature effect

When the temperature of the measuring system deviates from the reference temperature (+20 °C):

Max. ±0.4 %/10 K of full scale value

### Ingress protection

IP 54 per EN 60529 / IEC 529

## Standard version

### Process connection

Model 311.11: Cu-alloy  
 Model 331.11: Stainless steel  
 lower mount (LM) or lower back mount (LBM),  
 G ½ B (male), 22 mm flats

### Pressure element

Model 311.11:  
 < 100 bar: Cu-alloy  
 ≥ 100 bar: Stainless steel 316L  
 ≥ 1000 bar: Ni-Fe-alloy  
 Model 331.11: Stainless steel 316L

### Movement

Cu-alloy, wear parts argantan

### Dial

Aluminium, white, black lettering

### Pointer

Knife edge pointer, aluminium, black

### Case

Steel, black

### Window

Instrument glass

### Bezel ring

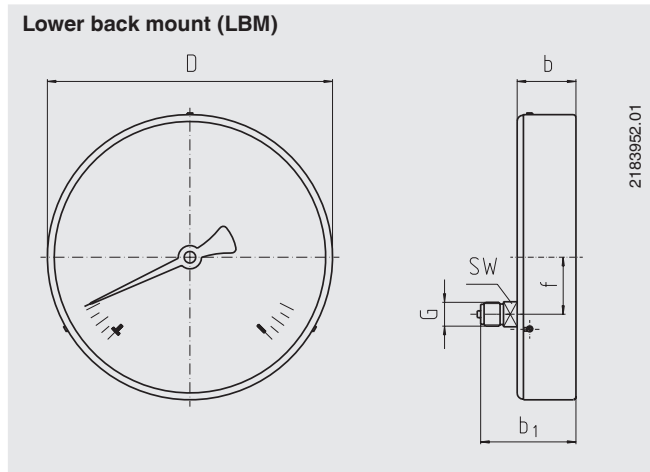
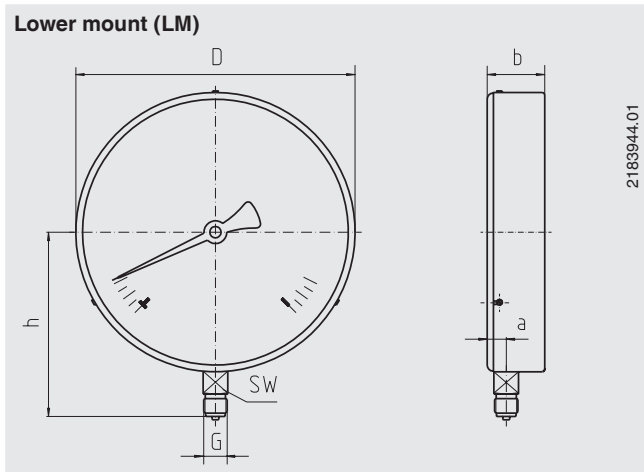
Slip-on bezel, steel, black

## Options

- Other process connection
- Window from laminated safety glass or clear non-splintering plastic
- Surface or panel mounting flange, steel, black
- Higher indication accuracy: Class 0.25 per EN 837-1 or Grade 3A per ASME B 40.1 (scale ranges ≥ 1000 bar lower mount only)
- Adjustment medium gas from 25 bar

## Dimensions in mm

### Standard version



NS	Dimensions in mm								Weight in kg
	a	b	b1	D	f	G	h ± 1	SW	
250	17	51.5 <sup>1)</sup>	83.5 <sup>1)</sup>	250	50	G ½ B	165	22	3.0

Process connection per EN 837-1 / 7.3  
 1) Plus 13 mm with scale ranges ≥ 100 bar

## Ordering information

Model / Nominal size / Scale range / Connection size / Connection location / Options

© 2008 WIKA Alexander Wiegand SE & Co. KG, all rights reserved.  
 The specifications given in this document represent the state of engineering at the time of publishing.  
 We reserve the right to make modifications to the specifications and materials.



**WIKAL Alexander Wiegand SE & Co. KG**  
 Alexander-Wiegand-Straße 30  
 63911 Klingenberg/Germany  
 Tel. (+49) 9372/132-0  
 Fax (+49) 9372/132-406  
 E-mail info@wika.de  
 www.wika.de